

SHOWER PL8

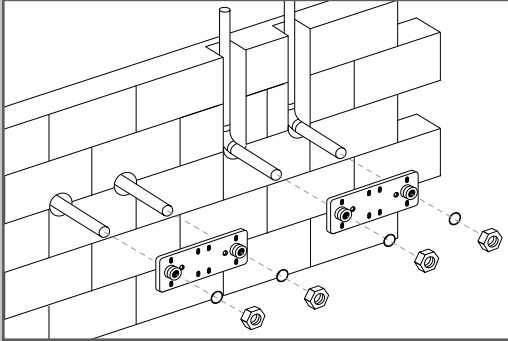
marflow
LUXURY BATHROOM BRASSWARE SINCE 1968

BRITANNIA HOUSE • AUSTIN WAY • HAMSTEAD INDUSTRIAL ESTATE • BIRMINGHAM • ENGLAND • B42 1DU
T: +44 (0)121 358 1555 F: +44 (0)121 358 1444 www.marflow.co.uk

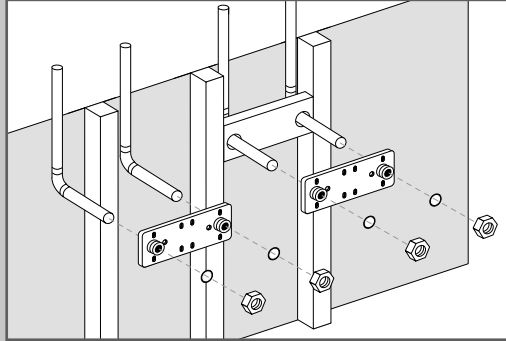
Perfect For 'First Fix' Shower Installations

FITTING INSTRUCTIONS

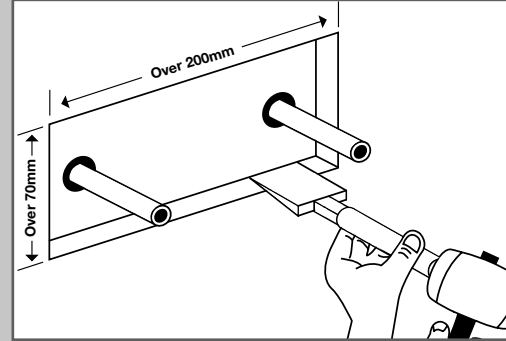
First Fix for Supply Pipes at 150mm Centres



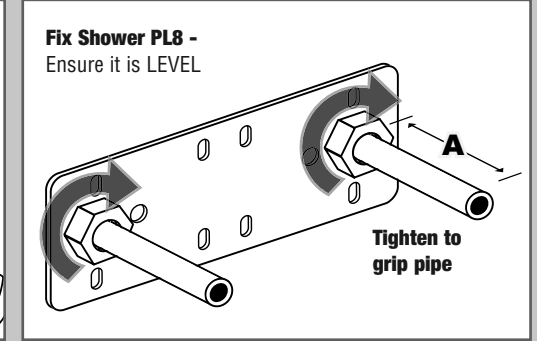
Block or brick wall -
Chase or drill through



Stud wall -
Fix to noggin or stud

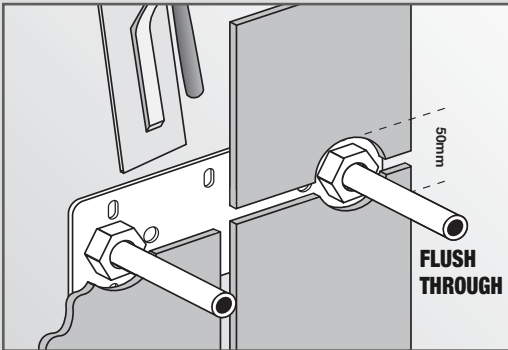


Rendered Wall -
Chase out recess
at least 200mm x 70mm x 15mm deep



Use correct fixing screws (and wall plugs) for the wall structure (not supplied). **A** must be finished wall thickness + 60mm minimum

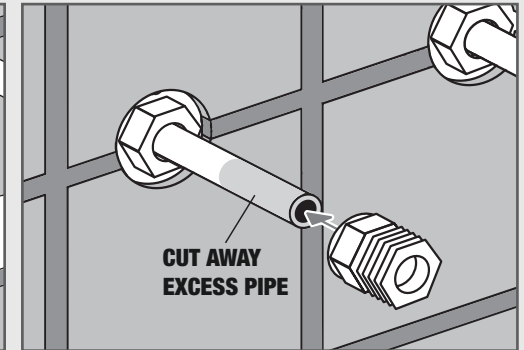
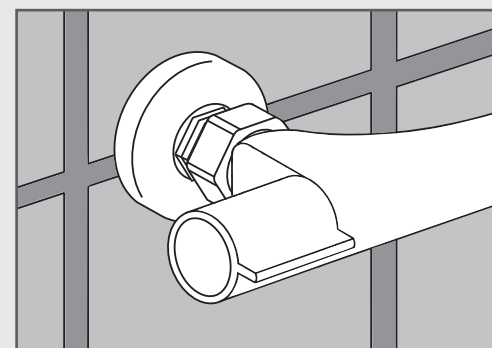
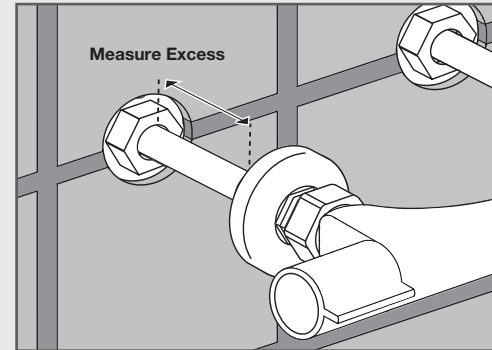
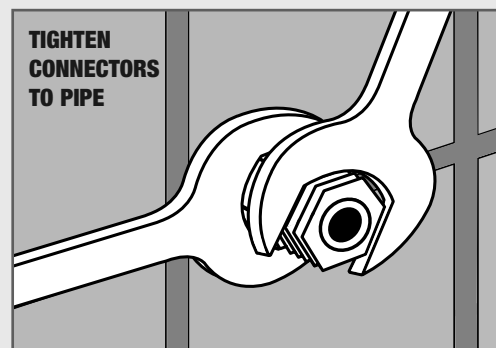
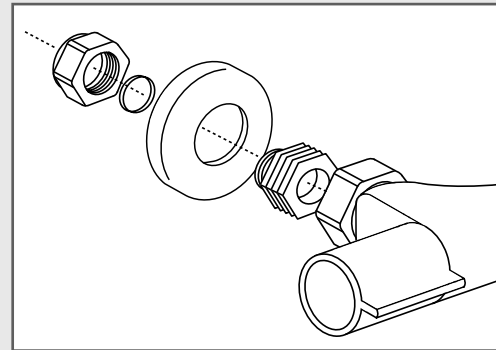
Decorate



Apply plaster and/or decorative finishes such as ceramic tiles.

Before fitting the shower mixer valve ensure pipe work is **flushed through** thoroughly.

Fit the Shower Mixer



Offer up the shower mixer and determine the finished pipe length to ensure the cover flanges will meet the wall.

Using a pipe slice cut away excess pipe and fit the shower mixer with the fittings supplied.

Always use 2 spanners to tighten the compression fittings on to the pipe.