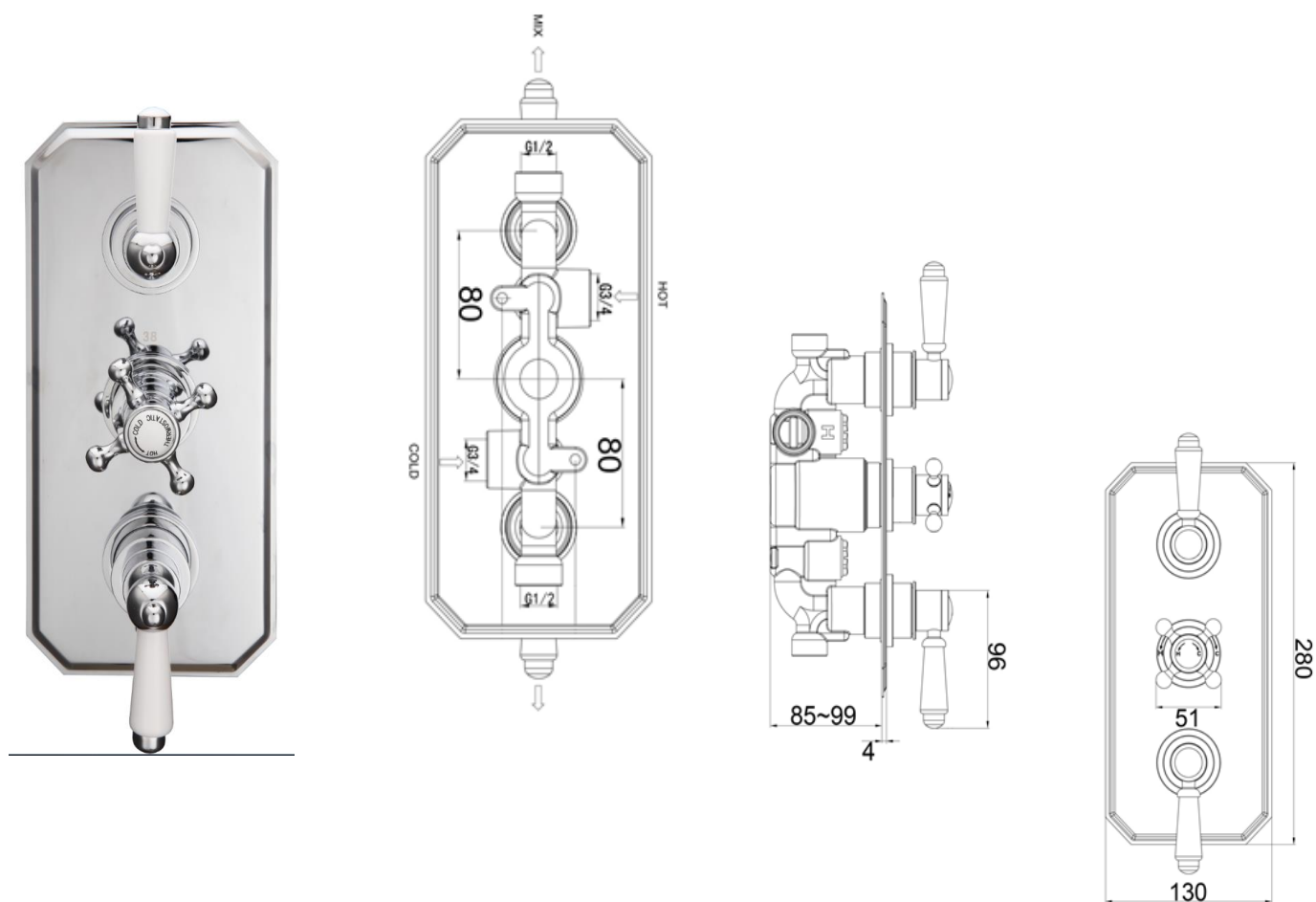


PRODUCT DATA SHEET

RANGE: Ferrada

CODE: FER7700

DESCRIPTION: Ferrada Two Outlet Concealed Thermostatic Shower Valve



FLOW RATES:

BAR PRESSURE	0.2 BAR	0.5 BAR	1.0 BAR	2.0 BAR
LITRES PER MINUTE	11.5	15.1	19.8	26.8