

IMPORTANT - CARE OF YOUR BRITANNIA PRODUCT

AFTER INSTALLATION

After installation we strongly recommend that the fitting be securely covered to prevent contamination or damage by any form of building materials such as paint, plaster, tile adhesive, grout or sealants until all building and finishing work is completed.

CLEANING

After use all finishes should be maintained by wiping with a soft, damp, clean cloth and then polished using a soft dry duster. **NO** abrasive powder, detergents or polishes should be used, cleansers containing alcohol, acid or corrosive chemicals should **NOT** be used.

NOTE

Some household bleaches and denture cleaners can damage plated or coloured finishes and if spilt on to a fitting should be washed off immediately with cold water.

If these instructions are followed we believe this fitting will give many years of satisfactory use.

We have a policy of continuous improvement and reserve the right to change specifications without notice.

Please retain this document for future reference.

If you have any comment regarding these fittings and instructions we invite you to write to:

The Managing Director
Marflow Engineering Limited
Britannia House
Austin Way, Hamstead Industrial Estate
Birmingham, B42 1DU

Britannia is a registered trademark of Marflow Engineering Limited.

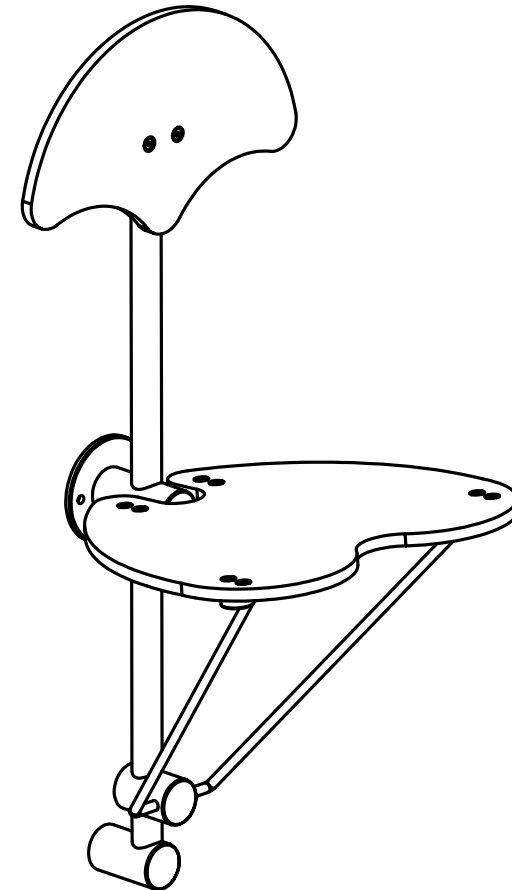
© 2002 Marflow Engineering Limited. All rights reserved. No part of this publication may be reproduced, photocopied, stored on a retrieval system, or transmitted without the express written permission of Marflow Engineering Limited.

INSTALLATION AND USER INSTRUCTIONS

SHOWER SEAT WITH BACKREST

REF.
TTC671

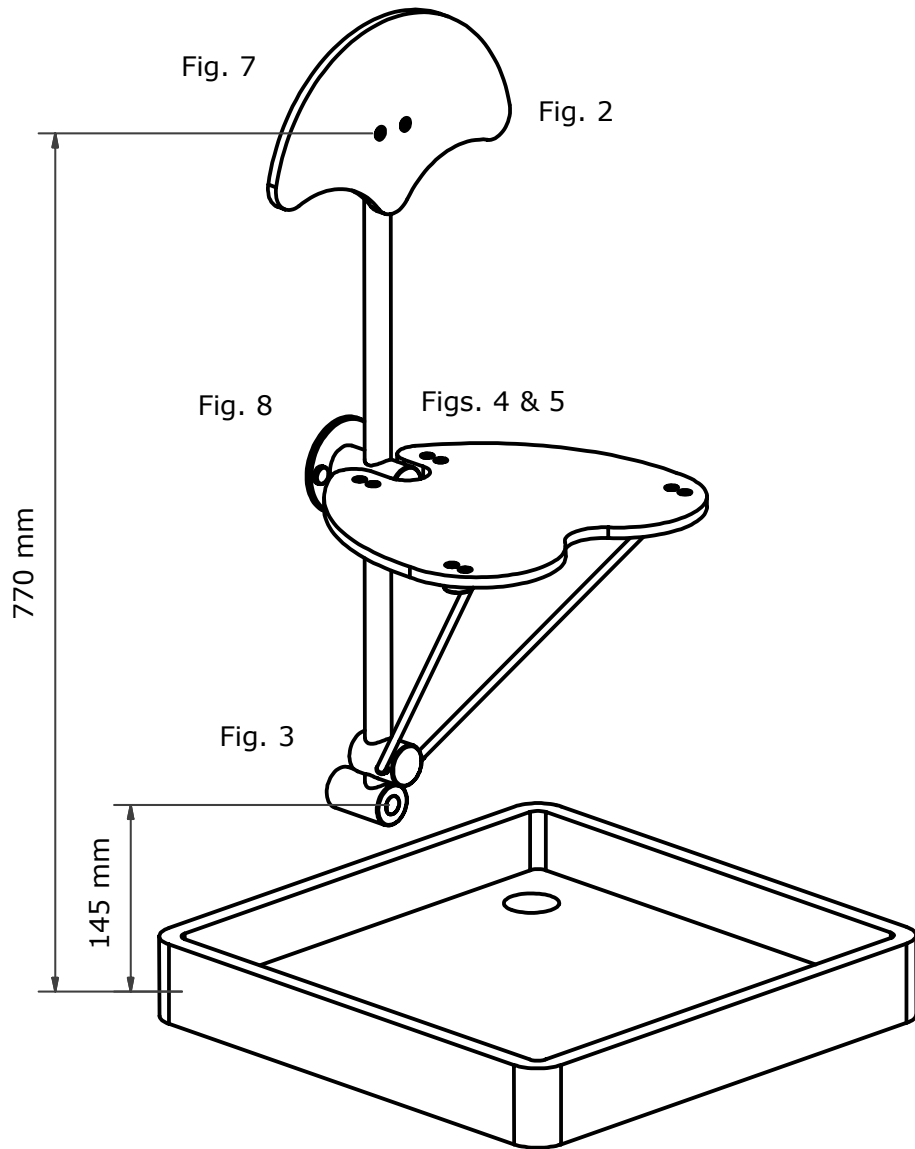
DATE
FEB 2002



Britannia
by Marflow

TRIDENT

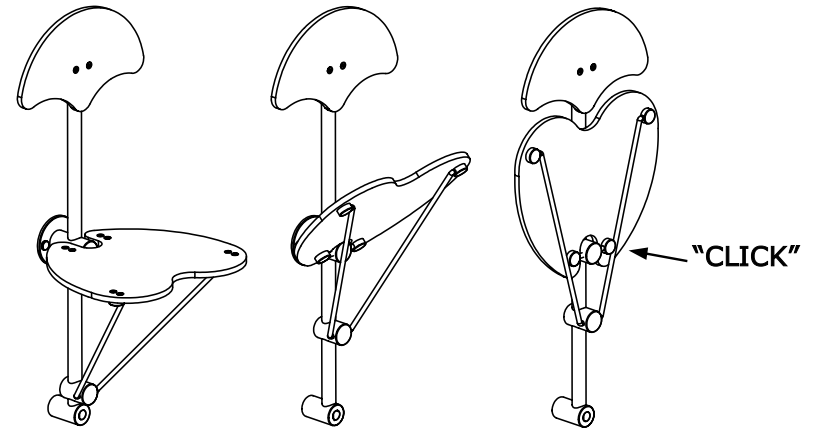
Fig. 1



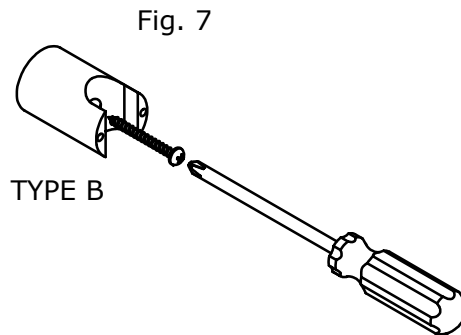
- Reverse the procedures shown in Fig 5, Fig 4, and Fig. 2 to complete the assembly. Do not overtighten the seat and backrest Allen screws.

Important User Instructions

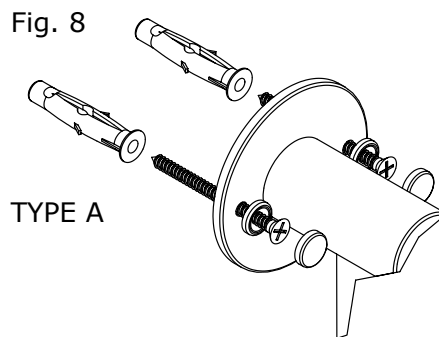
The seat should be folded firmly back to the wall and "clicked" into the upright position when not in use.



6. Remove unit complete and drill and plug the remaining three fixing holes.
7. Fix top bracket ensuring that the tube slot is vertical.



8. Position the complete unit and start the three remaining screws. Ensure that the cup washers are positioned on the centre bracket screws as indicated in Fig 8. Push the unit back against the wall and tighten the screws securely.



Important Installation Instructions

To be read **before** commencing installation

The Trident bathroom and shower seat has a maximum weight capacity of 150 Kilograms (23 Stones) when correctly installed on a masonry (brick) or concrete wall.

Before installing it is important to verify the thickness, construction and consistency of the wall to ensure it will be able to support the weight. If in doubt get advice from a reputable builder.

Use only wall plugs & screws supplied with the kit.

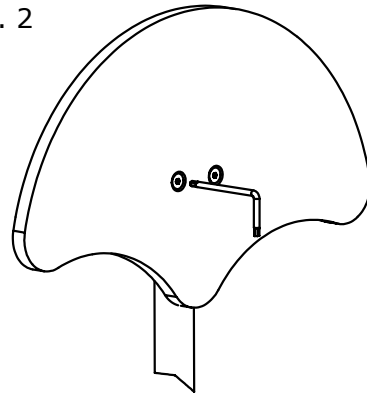
Ensure all holes are of the correct diameter and depth according to table 1.

If these instructions are not followed correctly, the weight capacity of the Trident seat will be limited and may not be sufficient. In case of accidental damage Marflow Engineering Limited will not be liable for any compensation for direct or indirect costs incurred.

Table 1		
Type	Drill Diameter	Hole Depth
A Large Wall Plug	10 mm	80 mm
B Small Wall Plug	8 mm	40 mm

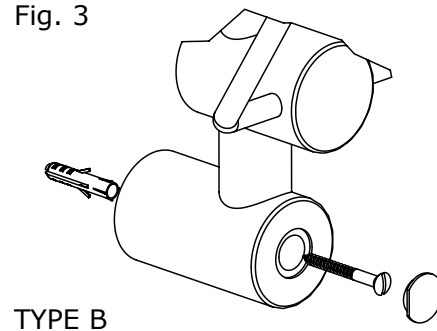
1. Remove backrest with Allen key provided.

Fig. 2



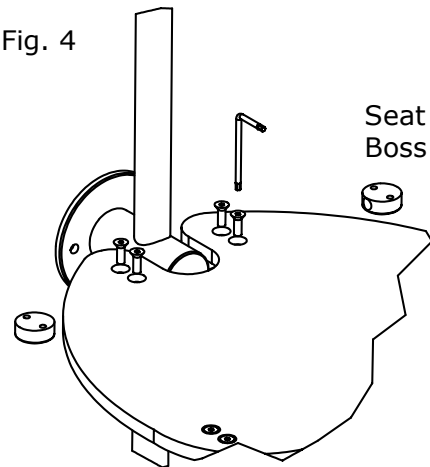
2. Drill wall and fix bottom bracket 145 mm from the inside surface of the shower tray.

Fig. 3



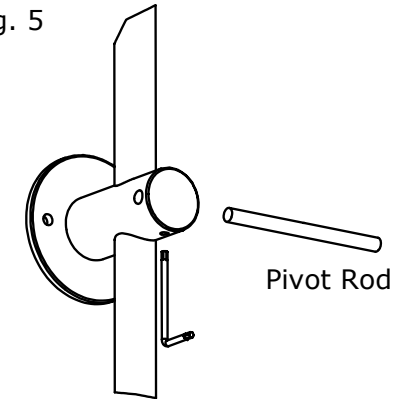
3. Unscrew seat rear screws and swing seat forward to rest in the shower tray. Remove seat bosses.

Fig. 4



4. Unscrew Allen screw and remove seat pivot rod.

Fig. 5



5. Check vertical position of slide rod with a spirit level and mark position of centre bracket fixing holes and around top fixing bracket.

Fig. 6

