

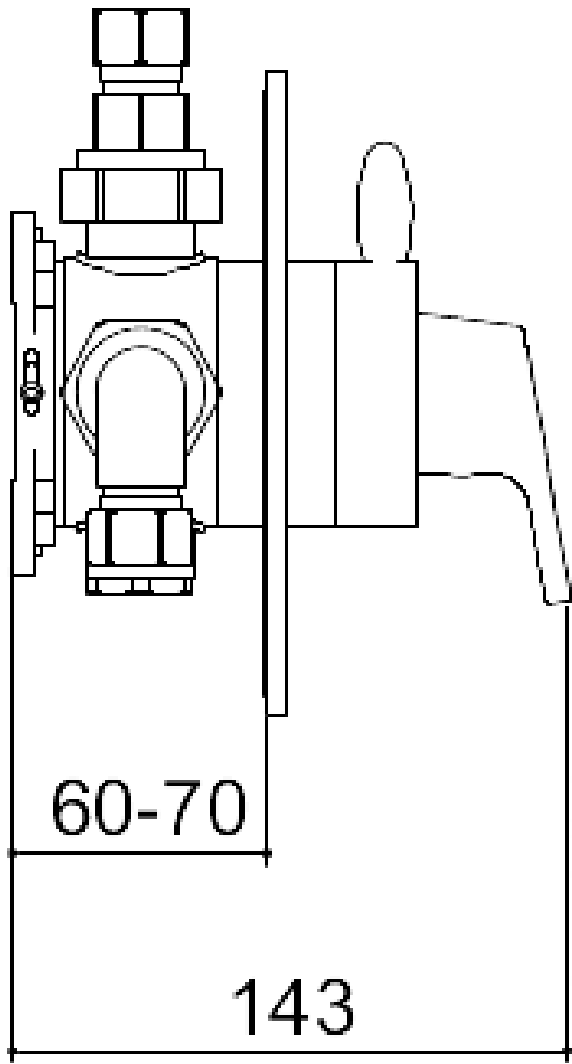
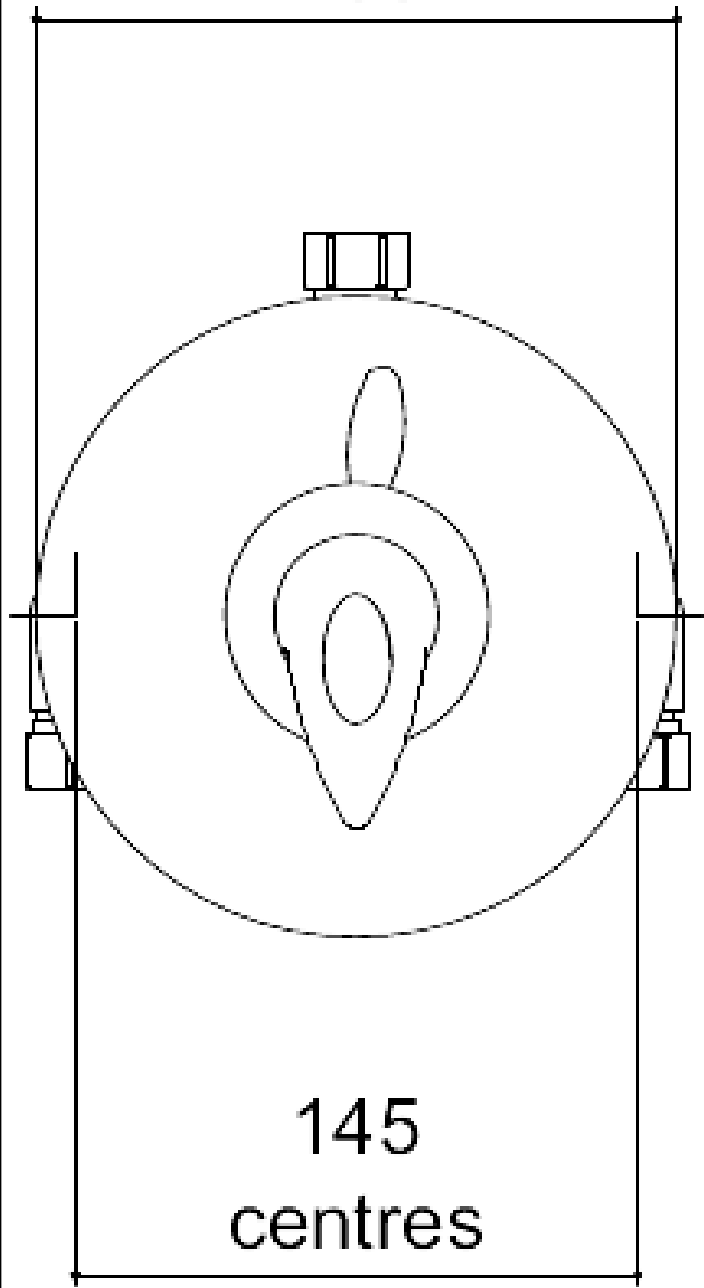


© Marflow Engineering Limited

www.marflow.co.uk

Range	Trident
Item	Concealed thermostatic shower valve
Date	July 2008
Finish: Chrome	Code: TC750

165



Pack Details	
Units	1
Size (cm)	nnxnxxnn
Product weight	Kg
Total pack weight	Kg
Min working pressure	Bar
Flow at 0.1 Bar (Marflow test rig)	l/min

