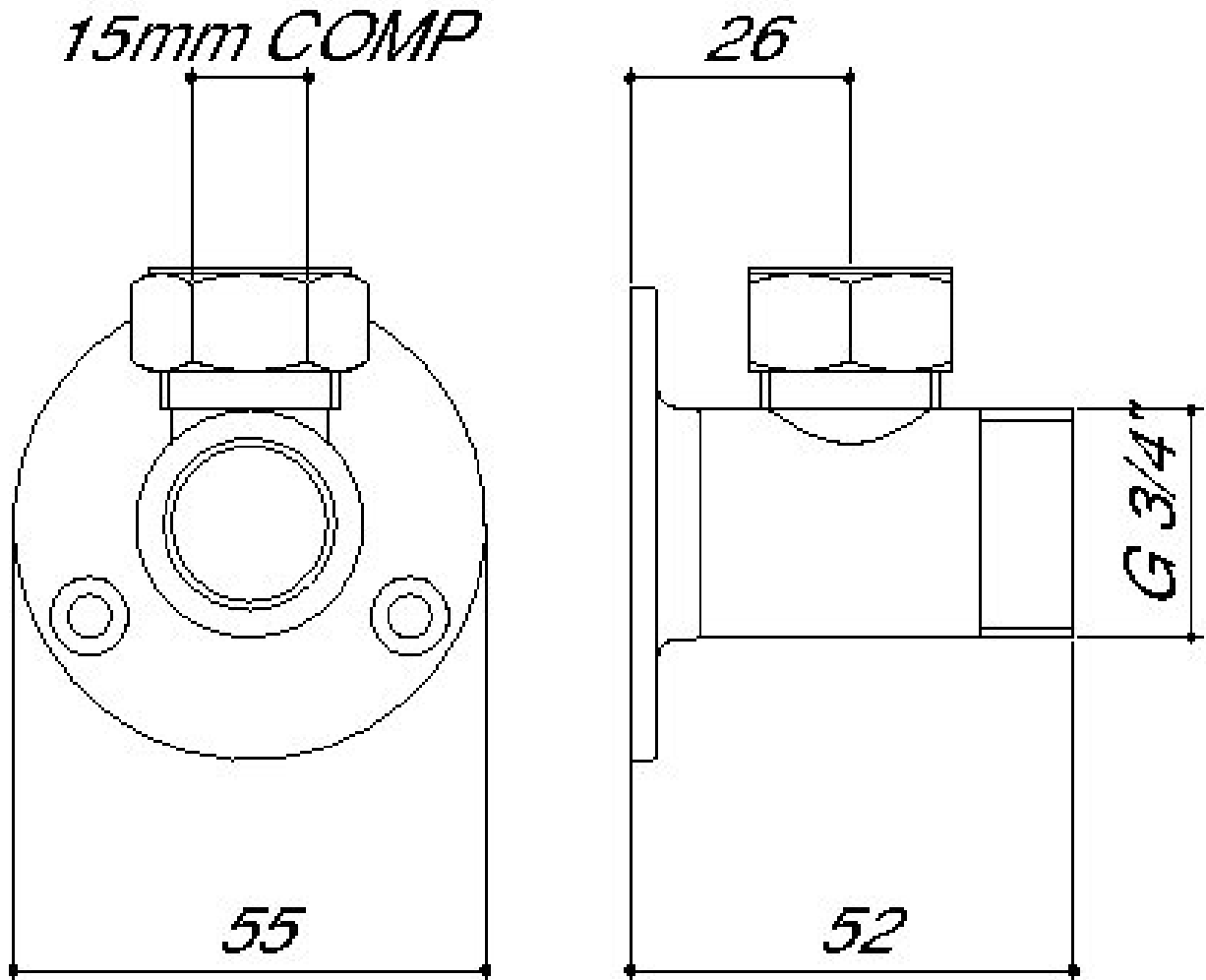


# Marflow

Marflow Engineering Limited  
Britannia House, Austin Way, Hamstead Industrial Estate,  
Birmingham, B42 1DU  
Phone: 0121 358 1555 Fax: 0121 358 1444  
Email: sales@marflow.co.uk Web: www.marflow.co.uk

Range	
Item	Wall Elbows
Date	August 2008
Finish: Chrome	Code: EPWE

All dimensions shown in mm



## Pack Details

Units	1
Size (Mm)	
Product weight	Kg
Total pack weight	Kg
Min working pressure	Bar
Flow at 0.1 Bar (Marflow test rig)	l/min

